

HASTINGS

INSTRUMENTS

BATTERY OPERATED PORTABLE CONTROL UNIT

Model HPM 4/6

FEATURES

- Works With DV-6 and DV-4 Sensors
- Single Switch to Operate
- 8 Pin Octal Connector
- Operates on a Single 9 Volt Battery
- Available with Torr or mbar scales
- Rugged Carrying Case Included

APPLICATIONS

Processes Requiring Accurate Vacuum Measurement & Control:

- Glove Boxes
- Cryogenics
- Vacuum Furnaces
- Pharmaceutical Production
- Freeze Drying
- Agricultural Processes
- Air Conditioning
- Thermal Food Containers
- Plasma Coating
- Refrigeration (HVAC)
- Accelerators
- Appliance Manufacturing



Model HPM 4/6



Model HPM 4/6 with carrying case



Calibration Reference Tubes

Design Features

The Model HPM 4/6 is a compact, hand-held, digital display, battery operated control unit. When combined with the Hastings Instruments rugged thermopile sensors it becomes a vacuum instrument designed for portability and ease of use in applications where AC power is not readily available.

The lightweight control unit operates with a standard 9 volt battery, and is available for display in units of Torr or mbar. Additionally, it can be calibrated to an individual sensor or set for average sensor output to work with many different sensors of the same type. It is switchable to offer display for both the DV-6 (0.001 to 1 Torr) and the DV-4 (0.01 to 20 Torr) sensors without re-calibrating. These sensors are rugged, noble metal sensors which are resistant to corrosion and can be ordered with a variety of system connections to meet your system's requirements such as VCR[®], KF 16, KF 25, Glass, MiniConflat[™], etc.

The instrument is packaged in a handy, lightweight, rugged carrying case and comes complete with one 9 VDC battery.

Mini-Conflat[™] is a trademark of Varian Associates, Inc.
VCR[®] is a registered trademark of Cajon Company.



TELEDYNE
ELECTRONIC TECHNOLOGIES
Hastings Instruments

A Teledyne Technologies Company

MODEL HPM 4/6

HPM 4/6 Specifications

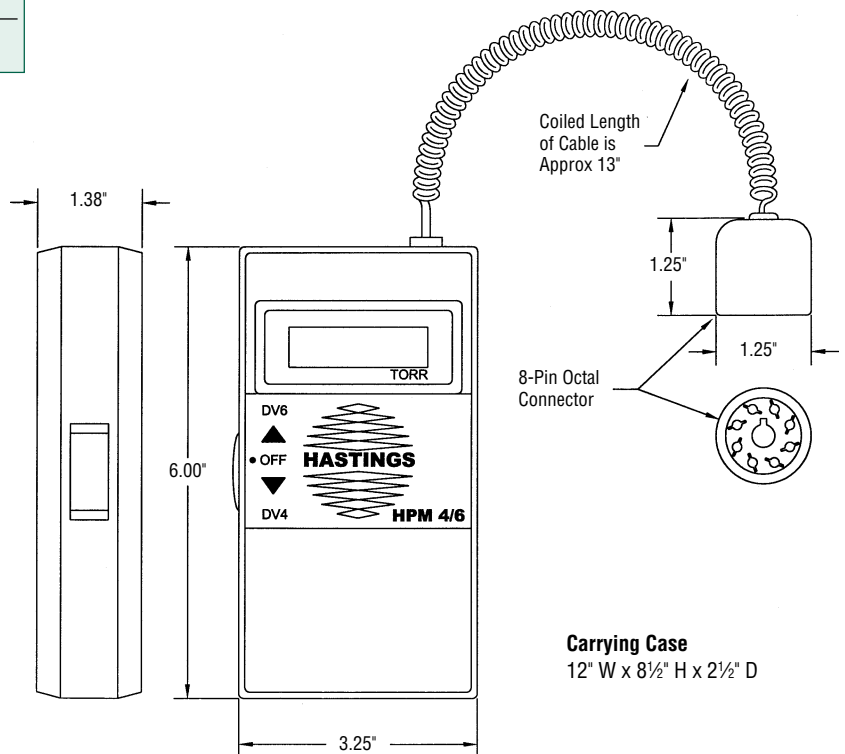
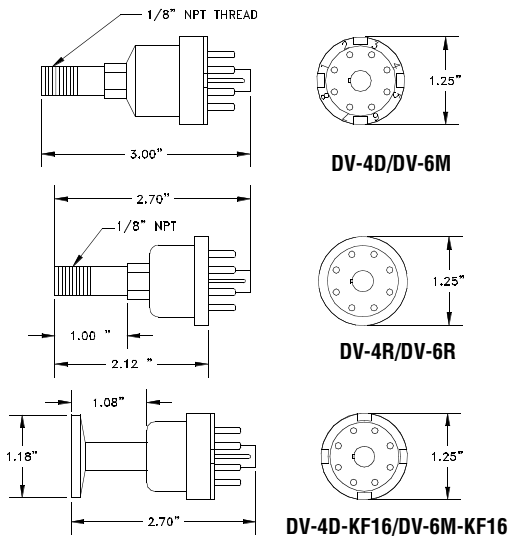
Selectable:	
Range (DV-6)	.001 Torr to 1 Torr (N ₂) .001 to 1.3 mbar
Reference Tube	DB-20
Range (DV-4)	.01 Torr to 20 Torr (N ₂) .01 to 20 mbar
Reference Tube	DB-16D
Power Requirements	one 9 VDC battery @ 11mA
Operating Range	-20°C to 50°C
Weight w/case (approx.)	1.8 lb (0.8 kg)

STANDARD METAL DV 4 and DV 6 SENSOR TUBE

Max Pressure	50 psi max.
Tube Installation Position	Any without recalibrating
Tube Operating Range	0° C to 40° C
Tube Leak Test	< 10 ⁻⁸ SCCS
Tube Max Temperature	100° C

Hastings Instruments reserves the right to change or modify the design of its equipment without any obligation to provide notification of change or intent to change.

Gauge Tubes



Selection Chart

Note: Sensors sold separately.

Order No.	Model	Description
HPM 4/6		Battery Vacuum Gauge .001 to 20 Torr

One 9 VDC battery and carrying case included.

Sensors		
.001 to 1 Torr	.01 to 20 Torr	Connection
DV-6M	DV-4D	1/8" NPT
DV-6R	DV-4R	1/8" NPT Ruggedized Tube
DV-6M-VCR	DV-4D-VCR	1/4" VCR
DV-6R-CF	—	1.33" Mini Conflat
DV-6M-KF-16	DV-4D-KF-16	KF-16
DV-6M-KF-25	DV-4D-KF-25	KF-25

Your Customer Service Representative



TELEDYNE
ELECTRONIC TECHNOLOGIES
Hastings Instruments
A Teledyne Technologies Company

Telephone: (757) 723-6531
Toll Free: (800) 950-2468
Fax: (757) 723-3925
World Wide Web: <http://www.hastings-inst.com>
E-mail: hastings_instruments@teledyne.com
P.O. Box 1436
Hampton, VA 23661